

FEATURES

- Single washbasin made of pressure-cast fireclay.
- Cata-glaze, lifetime treatment. A total bacteria-proof barrier.
- Install wall-hung, semi-inset or on a cabinet.
- 0 up to 3 faucet holes. Must specify number of holes and hole position.

OPTIONS

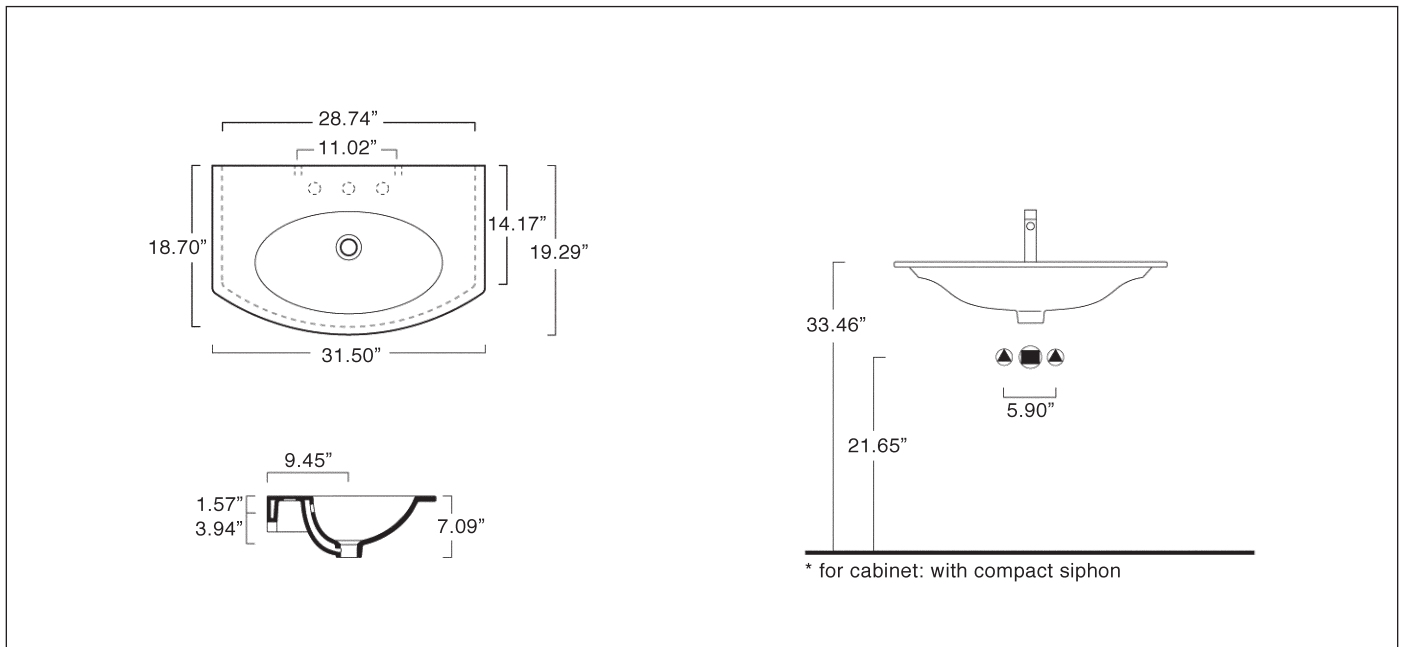
- 5P80VL Front Towel Rail constructed of brass with chrome finish (shown right).

SIZE: W31.5" x D19.29" x H7.09"

SHIP WEIGHT: 39.7 lbs.

To Be Specified: Color

	Model No.	Color
<input type="checkbox"/>	180VL00	White (gloss)
<input type="checkbox"/>	180VLBM	White (satin)



VELIS